



**Beverage Dispensing System  
Hot Beverage Dispenser for soluble  
powder, 2 containers, black with UK plug**

ITEM # \_\_\_\_\_

MODEL # \_\_\_\_\_

NAME # \_\_\_\_\_

SIS # \_\_\_\_\_

AIA # \_\_\_\_\_



560052 (GH2UK)

\* NOT TRANSLATED \*

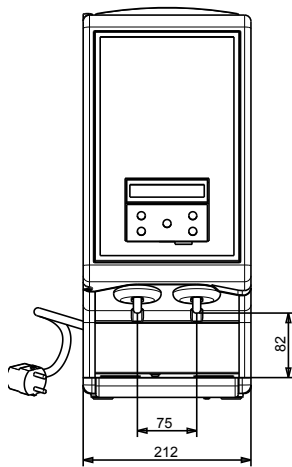
### Main Features

- Hot beverage dispenser for powder based drinks.
- Front panel LED backlighting.
- Completely removable powder containers.
- Sliding panel for easy filling of the water tank.
- While the machine works, display indicates:
  - dispensing phase
  - water level too low;
  - flavour being delivered;
  - cleaning required;
  - heating stage;
  - expired credit, if the machine is equipped with the chip card system;
  - filter replacement required.
- Mechanical and programmable control board.
- Multilanguage menu.
- Chip card on request.

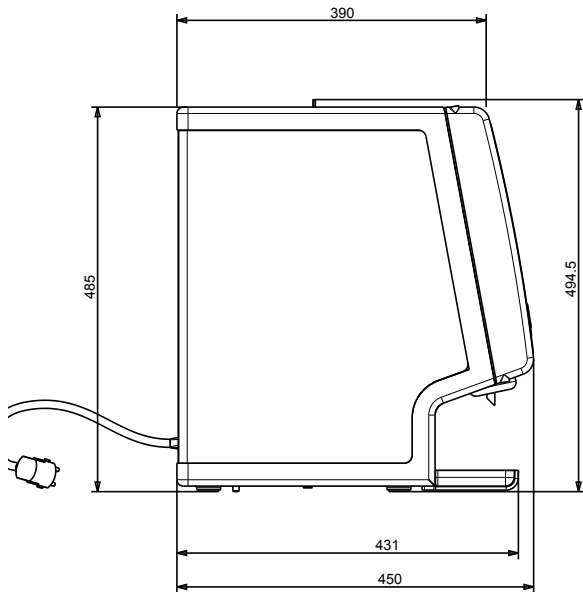
APPROVAL: \_\_\_\_\_



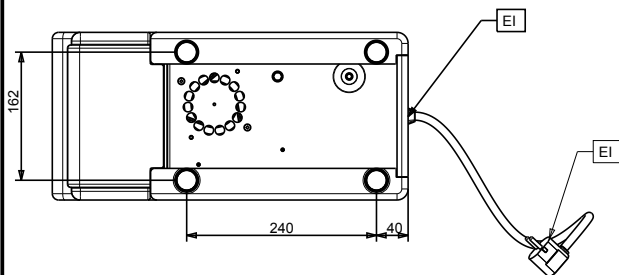
Front



Side



Top



#### Electric

Supply voltage:

560052 (GH2UK) 220-240 V/1 ph/50 Hz

Electrical power max.:

1.25 kW

#### Key Information:

External dimensions, Width:	212 mm
External dimensions, Depth:	450 mm
External dimensions, Height:	495 mm
Net weight:	15 kg
Shipping weight:	18 kg
Shipping height:	630 mm
Shipping width:	500 mm
Shipping depth:	600 mm
Shipping volume:	0.19 m <sup>3</sup>